

# VERSALIFT

## VDT170-F

Van mounted dual  
telescopic platform



PTO driven hydraulic pump



FPC controls with up to 4 actions at a time



Hydraulic axle locking system



Class leading leftover payload



Outriggers mounted below the vehicle



# VERSALIFT

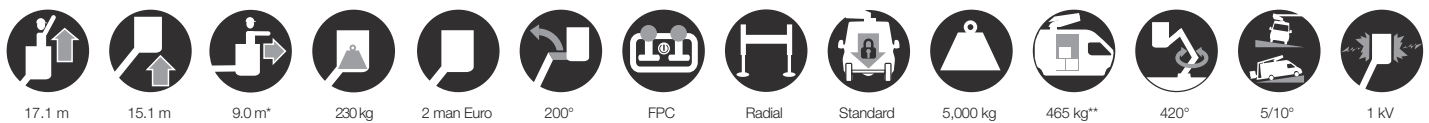
A **TIME** MANUFACTURING COMPANY

# VDT170-F - Mercedes-Benz Sprinter



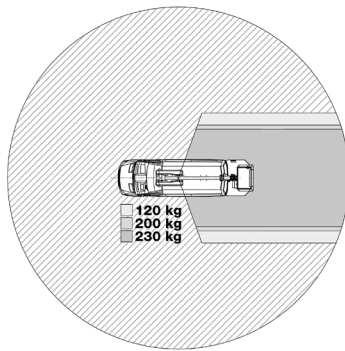
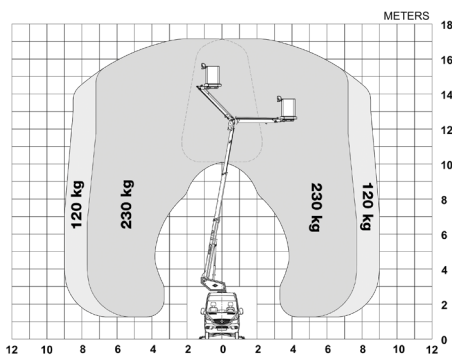
Top of the line access platforms mounted on larger vehicles capable of providing the best possible elevated work environment. Booms are fabricated from high strength steel providing the most stable and safe cage experience available on the market.

■ Length: 7,465 mm ■ Height: 3,500 mm ■ Wheelbase: 3,665 mm



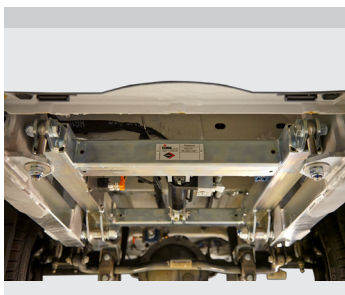
17.1 m 15.1 m 9.0 m\* 230 kg 2 man Euro 200° FPC Radial Standard 5,000 kg 465 kg\*\* 420° 5/10° 1 kV

## Diagramme(s)



## Options

- Bucket rotator (2 x 85°)
- Walk-Through-System
- Workshop interior
- 2 sets of outriggers
- GVW upgrade to 5,500 kg
- Drive option (drive the vehicle with raised platform)
- Load cell (Variable load dependant outreach)
- Home function & limited working area without outriggers



Hydraulic axle locking system



Workshop interior (optional)



Walk-Through-System: Direct access from the cabin to the bucket through the vehicle (optional)



FPC (Full Proportional CANbus controls): Variable outreach (with load cell) and up to 4 actions at a time

## Notes

Technical information is subject to change without prior notice. Images may show optional equipment. Installations and/or options may not be available in your specific region.

\* Depending on the vehicle.

\*\* Max payload with a driver, a passenger and a full tank of fuel (220 kg added to the installation weight).

\*\*\* Max 230 kg with bucket rotator. Extra outreach and bucket capacity with 2 pairs of outriggers.

\*\*\*\* Requires the option "Limited working area without outriggers".

## Distributor

**Versalift International**  
Soendervang 3, 9640 Farsøe  
Denmark

+45 9863 2433  
sales@versalift.dk  
versaliftinternational.com